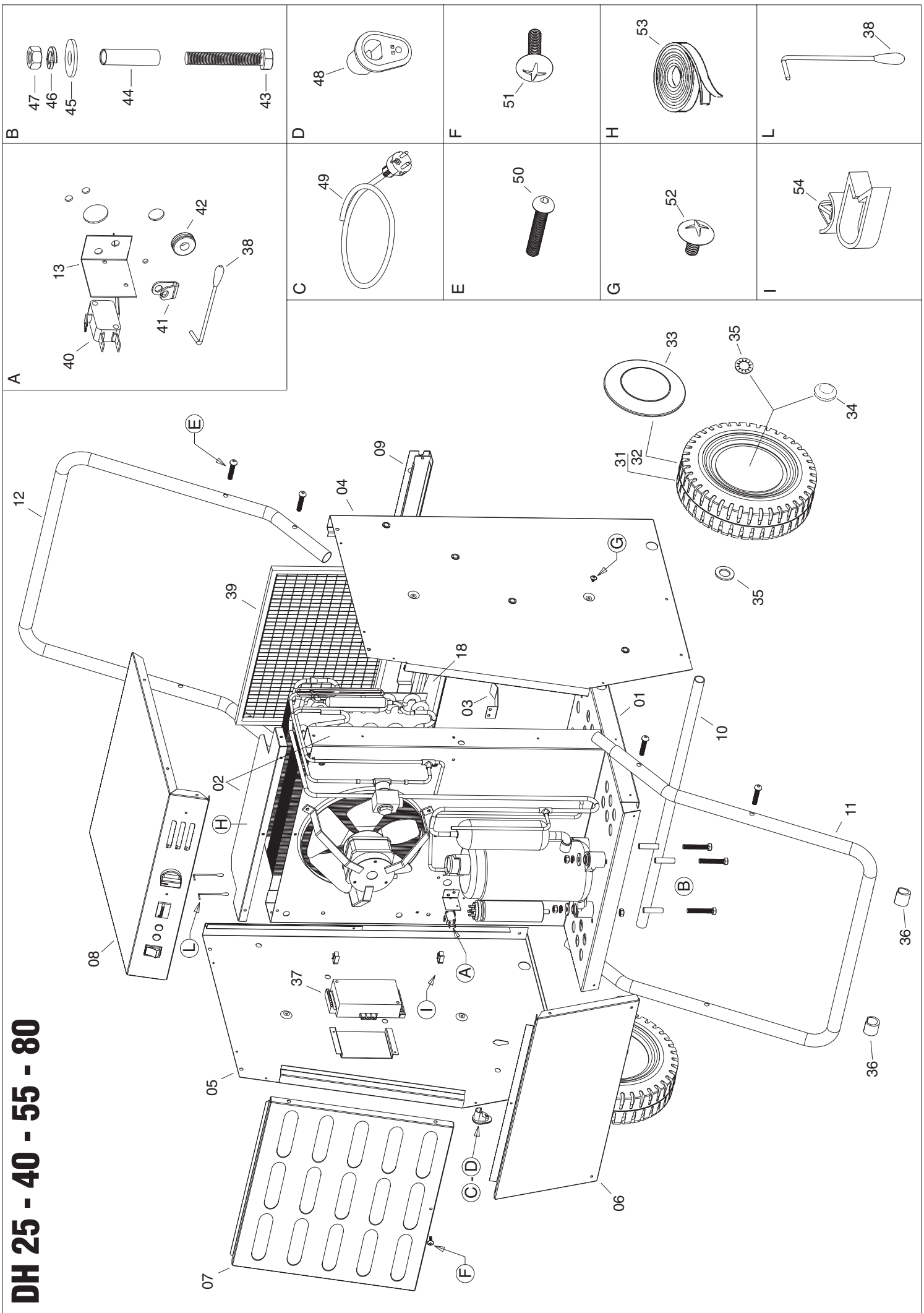
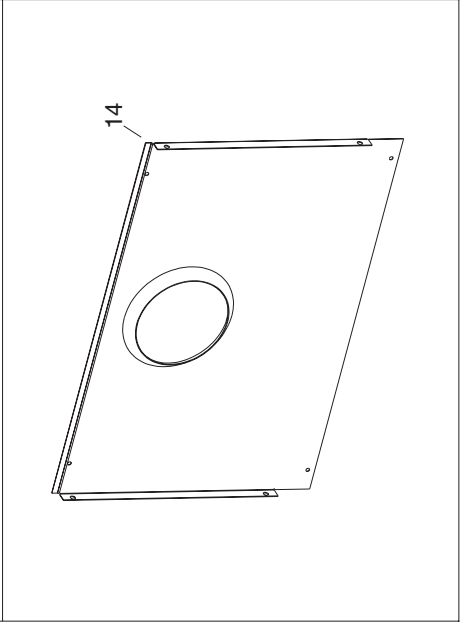
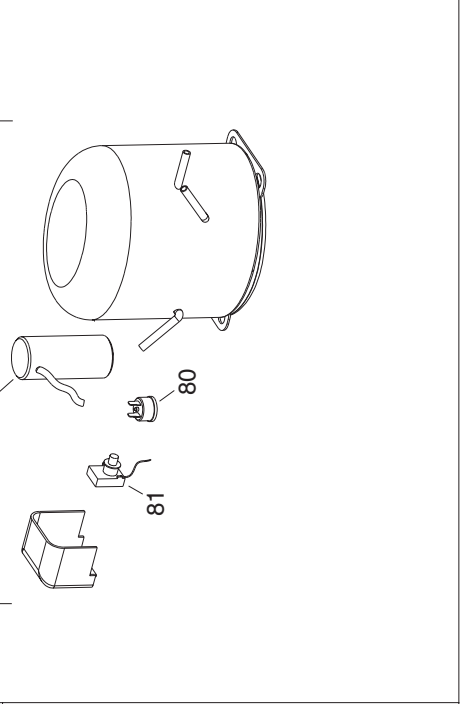
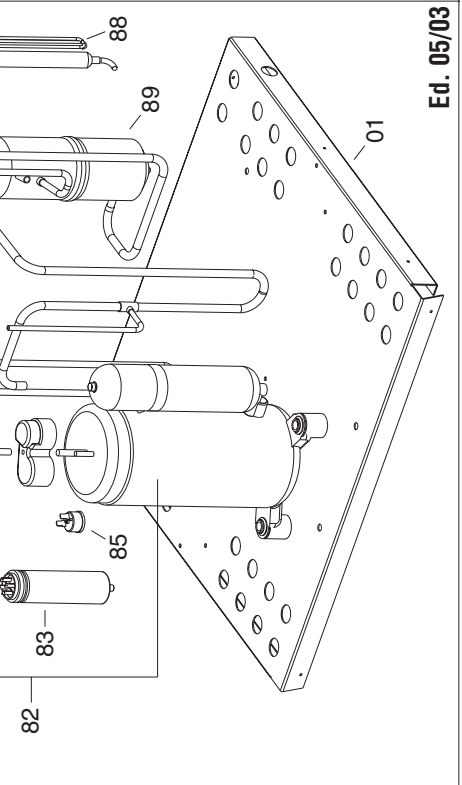
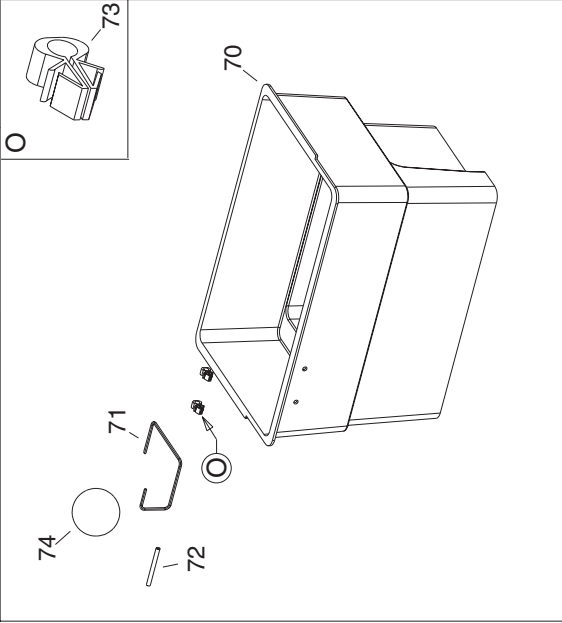
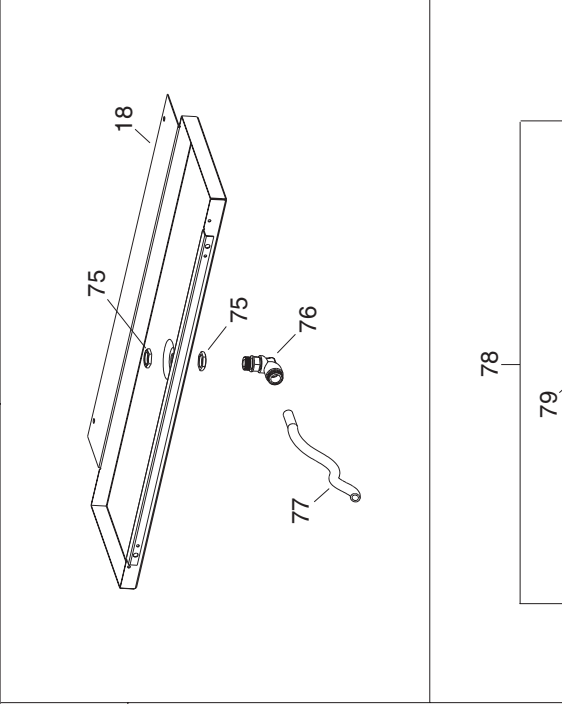
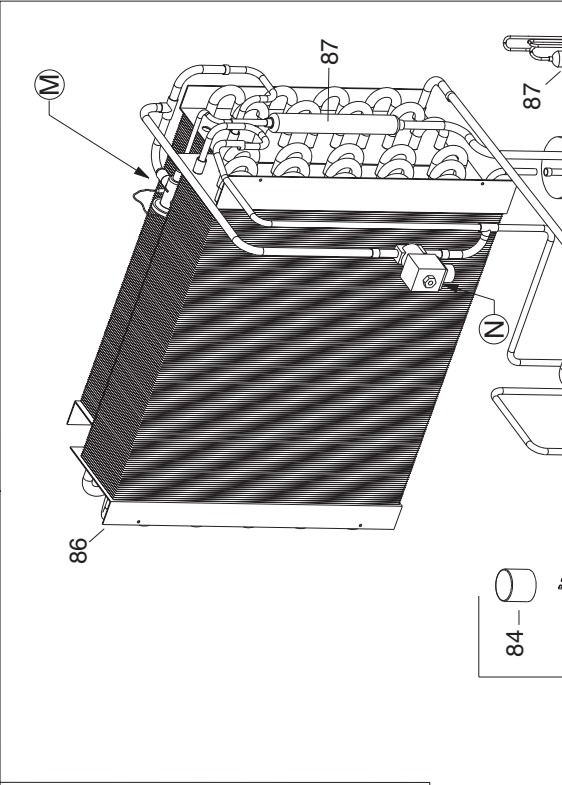
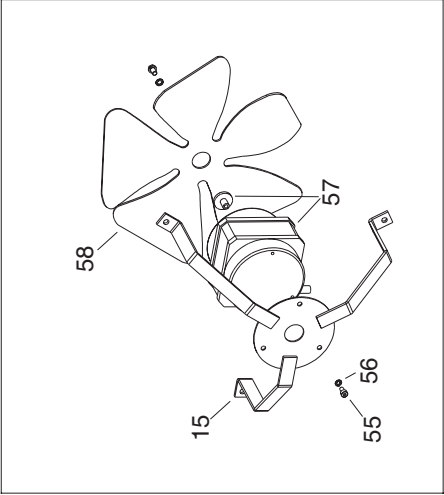
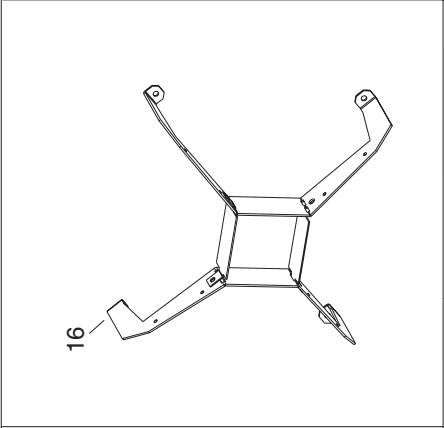
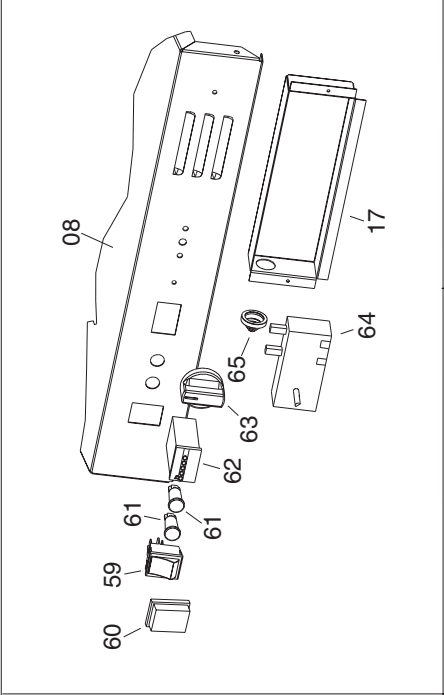
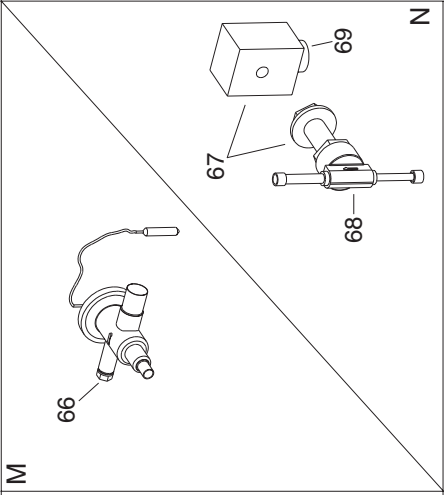


DH 25 - 40 - 55 - 80





DEHUMIDIFIERS

MODEL DH 25 / 40 / 55 / 80

PARTS LIST

Key No.	Part number	Description	DH 25	DH 40	DH 55	DH 80
1	4140.600	Bottom plate	X			
1	4140.601	Bottom plate		X	X	
1	4140.602	Bottom plate				X
2	4140.603	Capacitor support	X			
2	4140.604	Capacitor support		X		
2	4140.605	Capacitor support			X	
2	4140.606	Capacitor support				X
3	4140.607	Switch cover	X	X	X	
4	4140.608	Right cover plate	X			
4	4140.609	Right cover plate		X		
4	4140.610	Right cover plate			X	
4	4140.611	Right cover plate				X
5	4140.612	Left cover plate	X			
5	4140.613	Left cover plate		X		
5	4140.614	Left cover plate			X	
5	4140.615	Left cover plate				X
6	4140.616	Bottom front panel	X			
6	4140.617	Bottom front panel		X	X	
6	4140.618	Bottom front panel				X
7	4140.619	Grille	X			
7	4140.620	Grille		X		
7	4140.621	Grille			X	
7	4140.622	Grille				X
8	4140.623	Upper panel	X			
8	4140.624	Upper panel		X		
8	4140.625	Upper panel			X	
8	4140.626	Upper panel				X
9	4140.627	Drip tray support	X			
9	4140.628	Drip tray support		X	X	
10	4140.629	Wheel axle	X			
10	4140.630	Wheel axle		X	X	
10	4140.631	Wheel axle				X
11	4140.632	Foot	X			
11	4140.633	Foot		X	X	
11	4140.634	Foot				X
12	4140.635	Handle	X			
12	4140.636	Handle		X	X	
12	4140.637	Handle				X
13	4140.638	Switch support	X	X	X	
14	4140.639	Rear panel				X
15	4140.640	Motor flange	X			
15	4140.641	Motor flange		X		
16	4140.642	Motor flange			X	
16	4140.643	Motor flange				X
17	4140.644	Hygrostat cover	X	X	X	X
18	4140.645	Drip tray	X			
18	4140.646	Drip tray		X	X	
18	4140.647	Drip tray				X
31	4140.648	Wheel R210-20	X			
32	4140.649	Wheel R264-20		X	X	X
33	4140.650	Black plastic tap		X	X	X
34	4140.651	Spring washer R20	X			
34	4140.652	Spring washer R21		X	X	X
35	4140.653	Washer R21	X	X	X	X
36	4140.654	Foot protection	X	X	X	X
37	4140.655	Control box	X	X	X	X
38	4140.656	Probe	X	X	X	X
39	4140.657	Filter 295 x 306	X			
39	4140.658	Filter 270 x 404		X		
39	4140.659	Filter 344 x 404			X	
39	4140.660	Filter 465 x 528				X
40	4140.661	Switch	X	X	X	
41	4140.662	Clips and clamps	X	X	X	X
42	4140.663	Cable protection R10	X	X	X	X
43	4140.664	Screw TE M8x50	X			
43	4140.665	Screw TE M6x30		X	X	X
44	4140.666	Sleeve		X	X	X
45	4140.667	Washer R6xR24x2	X			
45	4140.668	Washer R8xR24x2		X	X	X
46	4140.669	Spring washer R8		X	X	X
47	4140.670	Nut M6	X			
47	4140.671	Nut M8		X	X	X
48	4140.672	Cable fastener	X	X	X	X
49	4140.673	Electrical cable 3x1 with plug	X	X	X	X
50	4140.674	Screw TBE1 M8x40 Zn.B.	X	X	X	X
51	4140.675	Screw 8x1	X	X	X	X

DEHUMIDIFIERS

MODEL DH 25 / 40 / 55 / 80

PARTS LIST

Key No.	Part number	Description	DH 25	DH 40	DH 55	DH 80
52	4140.676	Screw TC 8x3/8"	X	X	X	X
53	4140.677	Adesive profile 3x20	X	X	X	X
53	4140.678	Adesive profile 20x20	X	X	X	X
54	4140.679	Clip	X	X	X	X
55	4140.680	Screw TCEI M4x8	X	X		
56	4140.681	Washer R4	X	X	X	X
57	4140.682	Fan motor 82E-4025			X	
57	4140.683	Fan motor 4Y0A5				X
57	4140.684	Fan motor 82-1305	X			
57	4140.685	Fan motor 82-3016		X		
58	4140.686	Fan R230 25	X			
58	4140.687	Fan R230 28		X		
58	4140.688	Fan R300 28			X	
58	4140.689	Fan R350 19				X
59	4140.690	Switch 1/0	X	X	X	X
60	4140.691	Switch cover	X	X	X	X
61	4140.692	Red lamp V230-50 R12	X	X	X	X
62	4140.693	Hour-counter	X	X	X	X
63	4140.694	Black plastic knob	X	X	X	X
64	4140.695	Hygrostat	X	X	X	X
65	4140.696	Cable protection R18	X	X	X	X
66	4140.697	Thermostatic valve Danfoss				X
67	4140.698	Solenoid valve Parker	X			
68	4140.699	Solenoid valve Parker (body)				X
68	4140.700	Solenoid valve Parker (body)		X	X	
69	4140.701	Solenoid spool Parker	X	X	X	X
70	4140.702	Water container	X			
70	4140.703	Water container		X	X	
71	4140.704	Float lever	X	X	X	
72	4140.705	Plastic pipe R4xR6x60 mm	X	X	X	
73	4140.706	Float support	X	X	X	
74	4140.707	Float R60	X	X	X	
75	4140.708	Nut 3/8"x4				X
76	4140.709	Connection 90 3/8"M - R12				X
77	4140.710	Rubber tube R8x12				X
78	4140.711	Compressor Aspera	X			
79	4140.712	Capacitor	X			
80	4140.713	Thermostat	X			
81	4140.714	Relay	X			
82	4140.715	Compressor Sanyo		X		
82	4140.716	Compressor Sanyo			X	
82	4140.717	Compressor Sanyo				X
83	4140.718	Capacitor		X	X	X
84	4140.719	Capacitor plastic cover R45		X	X	X
85	4140.720	Thermostat		X		
85	4140.721	Thermostat			X	
85	4140.722	Thermostat				X
86	4140.723	Condenser/Evaporator	X			
86	4140.724	Condenser/Evaporator		X		
86	4140.725	Condenser/Evaporator			X	
86	4140.726	Condenser/Evaporator				X
87	4140.727	FR 50 Dryer				X
87	4140.728	RF 20/2 Dryer	X	X	X	
88	4140.729	Capillary tube R1,24mm L=1,25m	X			
88	4140.730	Capillary tube R1,88mm L=1,3m			X	
88	4140.731	Capillary tube R1,83mm L=1,7m		X		
89	4140.732	Liquid refrigerator recover				X